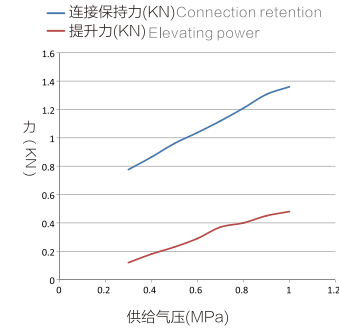
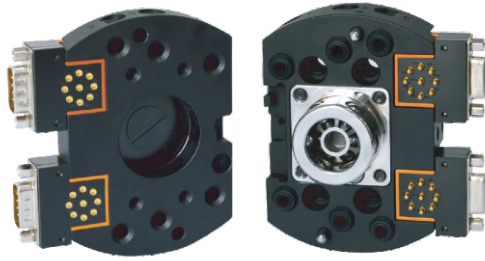


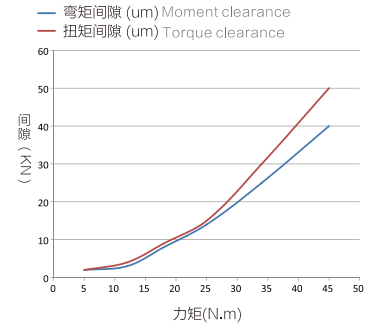
OQX-10 机械手自动快换

OQX-10 Automatic quick changer of manipulator

- 建议负载10kg;
 - 采用钢球锁紧方式;
 - 内置在位检测装置;
 - 具有防尘功能;
 - 体积小重量轻;
 - 采用机械式自锁设计;
 - 防止气源意外切断时两侧分离。
- Payload capacity 10kg;
 - Steerballlock system;
 - Grasp detecting device inside;
 - With dustproof function;
 - Small volume light weight;
 - Adopt the mechanical self-locking design;
 - Prevent separation separation from separating when when source of cut off.



OQX-10 continuous relay and lifting force curve

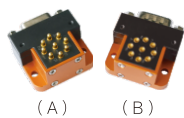


OQX-10 Bending moment and torque changer curve

规格参数 Specifications

| | | | | |
|--|---|---|---|-------------|
| 本体部分 Mainbody | 可搬运重量(额定负载)Payload capacity | 10kg | | |
| | 位置重复精度 Positon repeatability | ± 0.02mm | | |
| | 静态允许力矩 Static allowable torque | 弯矩方向 Bending direction(Mx,My) | 24.9N.m | |
| | | 扭矩方向 Torque direction(Mr) | 33.9N.m | |
| | 锁紧力(当气压 0.49Mpa时)Tight locking force (When the air pressure is 0.49Mpa) | 1000N | | |
| | 材质 Materialv | 本体 Main body | 铝合金 Aluminum alloy | |
| | | 锁紧机构部分 Locking mechanism | 合金钢 Alloy steel | |
| | 外形尺寸(锁紧时Lock) Housing diameter(Lock when locked) | Ø93.26 x65 x H38.9mm | | |
| | 产品重量 Product weight | 机器人侧 Robot side | 0.44Kg | |
| | | 工具侧 Tool side | 0.20Kg | |
| 拆装结构 Disassembling institutions | 钢球定位锁紧 Steel ball position lock | | | |
| 拆装动作气压 Disassembling action pressure | 0.39~0.7MPa(4~7kgf/cm ²) | | | |
| 允许温度与湿度范围 Allowable temperature and humidity range | 0~55℃, 0~95%(不结露No condensation) | | | |
| 通用 General | 通气孔 Pneumatic port | M5 x6个 | | |
| 控制部分 Control body | 面结合确认 Face-to-face confirmation | 确认快换两侧盘面锁紧 Confirm both sides of the disk are locked | 内置1个光电传感器(直流3线式) Built-in 1 photoelectric sensor | |
| | 组件 Component (选配 Option) | 通用 General | 电信号点 Electrical signal | 2x2A x 9PIN |

模块参数 Module parameter

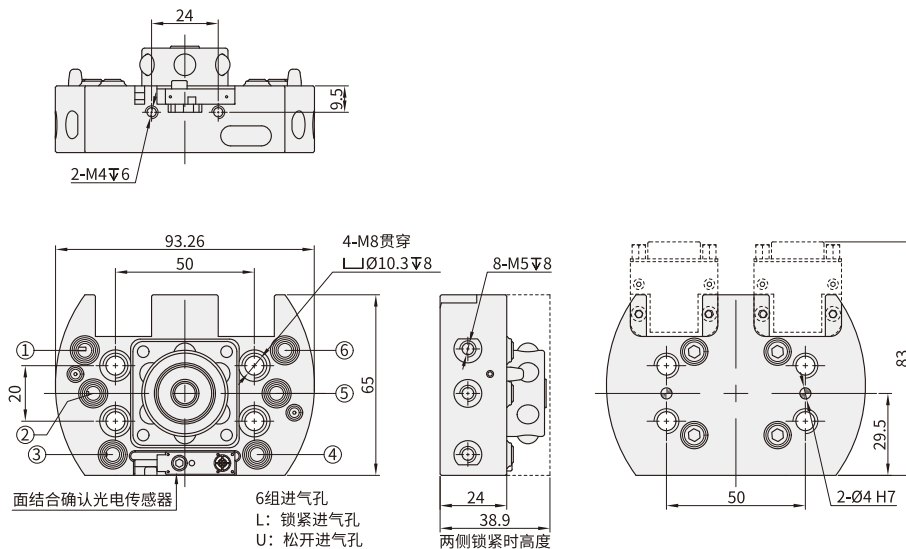


| 型号 Model | 使用于 Used in | 工作电压 Operating voltage | 工作电流 Working current | 电插针 Electric pin | 订货编号 Order number | 单价 Price | 接插件 Connector | 订货编号 Order number | 单价 Price |
|-------------|--------------------|---------------------------|-------------------------|---------------------|----------------------|-------------|------------------|----------------------|-------------|
| PTX02-9P-A | 机器人侧 Robot side | 24V | 2A | 9Pin | 7.03.03.0011 | | PTXZ01-9P-A | 7.03.03.0014 | |
| PTX02-9P-B | 工具侧 Tool side | | | | 7.03.03.0012 | | PTXZ01-9P-B | 7.03.03.0013 | |

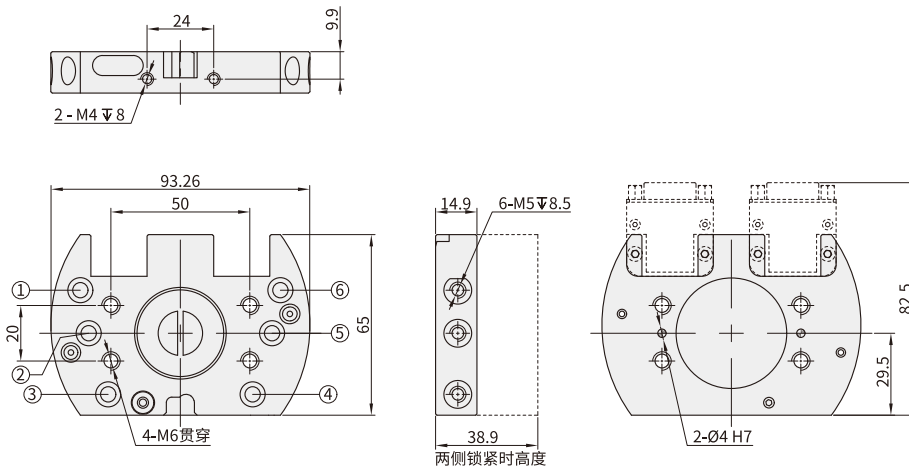
机械手自动快换 AUTOMATIC QUICK CHANGER

外形尺寸 OVERALL DIMENSIONS

机器人侧: OQX-10A
Robot side
订货编号: 7.03.12.0003
Order number
单价:
Price



工具侧: OQX-10B
Tool side
订货编号: 7.03.12.0004
Order number
单价:
Price



安装说明 INSTALLATION DESCRIPTION

